

Part number

COB 24 BC



Brief description:

connector carrier baseplate for mounting on DIN EN 60715 rail or fixed mounting using screws, kit comprising frame and mobile blocks for insert coupling: with screw fixing centre distance of 104 x 27 mm

Product description	
Version	COB panel supports for multipole connectors
Series	COB panel supports for multipole connectors
Product type	connector carrier baseplate for mounting on DIN EN 60715 rail or fixed mounting using screws
Style	kit comprising frame and mobile blocks for insert coupling: with screw fixing centre distance of 104 x 27 mm
Family	accessories for multipole connectors
Size	size "104.27"
Technical data	
Operating temperature range (min, max)	-40°C ... +125°C
Further technical details	
Weight	122,00 g

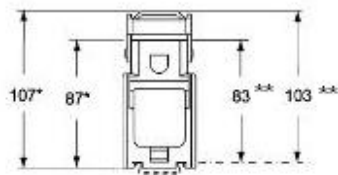
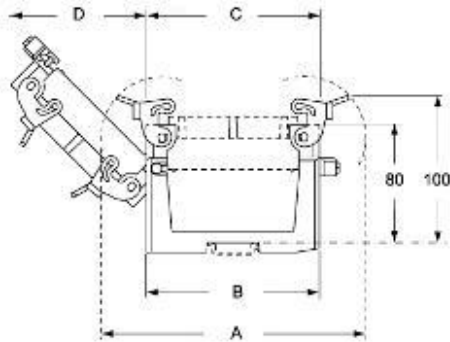
Approvals / Standards	
Quality mark	 , EAC
Conformity	
General ordering information	
EAN13 code	8015747036641
Tariff number	85369095
Packaging Information	
Packaging length	275,00 mm
Packaging height	150,00 mm
Packaging width	410,00 mm
Packaging weight	2,43 kg
Packaging volume	16,91 dm ³
Packaging description	Carton box
Packaging quantity	20 Pcs
Packaging EAN code	8015747036658
Sub-packaging length	95,00 mm
Sub-packaging height	40,00 mm
Sub-packaging width	253,00 mm
Sub-packaging weight	0,61 kg
Sub-packaging volume	0,96 dm ³
Sub-packaging description	Carton
Sub-packaging quantity	5 Pcs
Sub-packaging EAN barcode	8015747036665

Part number

COB 24 BC



Catalogue drawings



Catalogue drawings

COB..BC

